

READ AND FOLLOW ALL SAFETY INSTRUCTIONS! SAVE THESE INSTRUCTIONS AND DELIVER TO OWNER AFTER INSTALLATION.

⚠ WARNING: RISK OF ELECTRIC SHOCK

- Before installation or servicing DISCONNECT POWER BY TURNING OFF THE CIRCUIT breakers both to the outlet box and to its associated wall switch.
- Installation and service of luminaires should be performed by a qualified licensed electrician in accordance with all local and National Electrical Codes.
- DO NOT install damaged product
- Verify that supply voltage is correct by comparing it with the luminaire label information.
- All wiring connections should be capped with UL approved recognized wire connectors.

⚠ WARNING: RISK OF INJURY

- Allow luminaire to cool before servicing.
- Follow all manufacturer's warning and restrictions for driver type, mounting locations, replacement and recycling.
- Wear safety glasses and gloves when installing, maintaining or servicing.
- Avoid direct eye exposure to the light source while it is on.

⚠ WARNING: RISK OF PRODUCT DAMAGE

- Never connect components under load.
- Do not touch the yellow surface of the LED as it may damage the light engine.

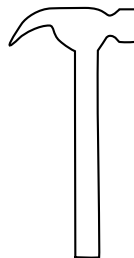
⚠ WARNING

- DO NOT separate any other wires that may be in the box.
- DO NOT damage the insulation of older wiring.
- In regular circumstances the BLACK wire will be the "Hot" lead and the WHITE wire will be the "Neutral" or "Common" lead. A GREEN or BARE COPPER wire is "Ground". In older buildings, it is always good practice to reconfirm the polarity of the wiring.

TOOLS REQUIRED



Flat Head Screw Driver

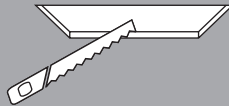


Claw Hammer



Drywall Saw

CEILING CUTOUT TABLE

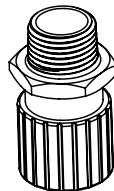


2.75" HOUSING		3.75" HOUSING	
1 HEAD	3 ⁵ / ₈ " x 3 ⁵ / ₈ " (92 x 92 mm)	1 HEAD	4 ⁵ / ₈ " x 4 ⁵ / ₈ " (118 x 118 mm)
2 HEADS	3 ⁵ / ₈ " x 6 ³ / ₈ " (92 x 162 mm)	2 HEADS	4 ⁵ / ₈ " x 8 ³ / ₈ " (118 x 213 mm)
3 HEADS	3 ⁵ / ₈ " x 9 ¹ / ₈ " (92 x 232 mm)	3 HEADS	4 ⁵ / ₈ " x 12 ¹ / ₈ " (118 x 308 mm)
4 HEADS	3 ⁵ / ₈ " x 11 ⁷ / ₈ " (92 x 302 mm)	4 HEADS	4 ⁵ / ₈ " x 15 ⁷ / ₈ " (118 x 404 mm)
SQUARE	6 ³ / ₈ " x 6 ³ / ₈ " (162 x 162 mm)	SQUARE	8 ³ / ₈ " x 8 ³ / ₈ " (213 x 213 mm)

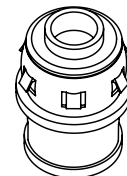
ACCESSORIES REQUIRED



Electrical Wire Nut



Electrical Strain Relief

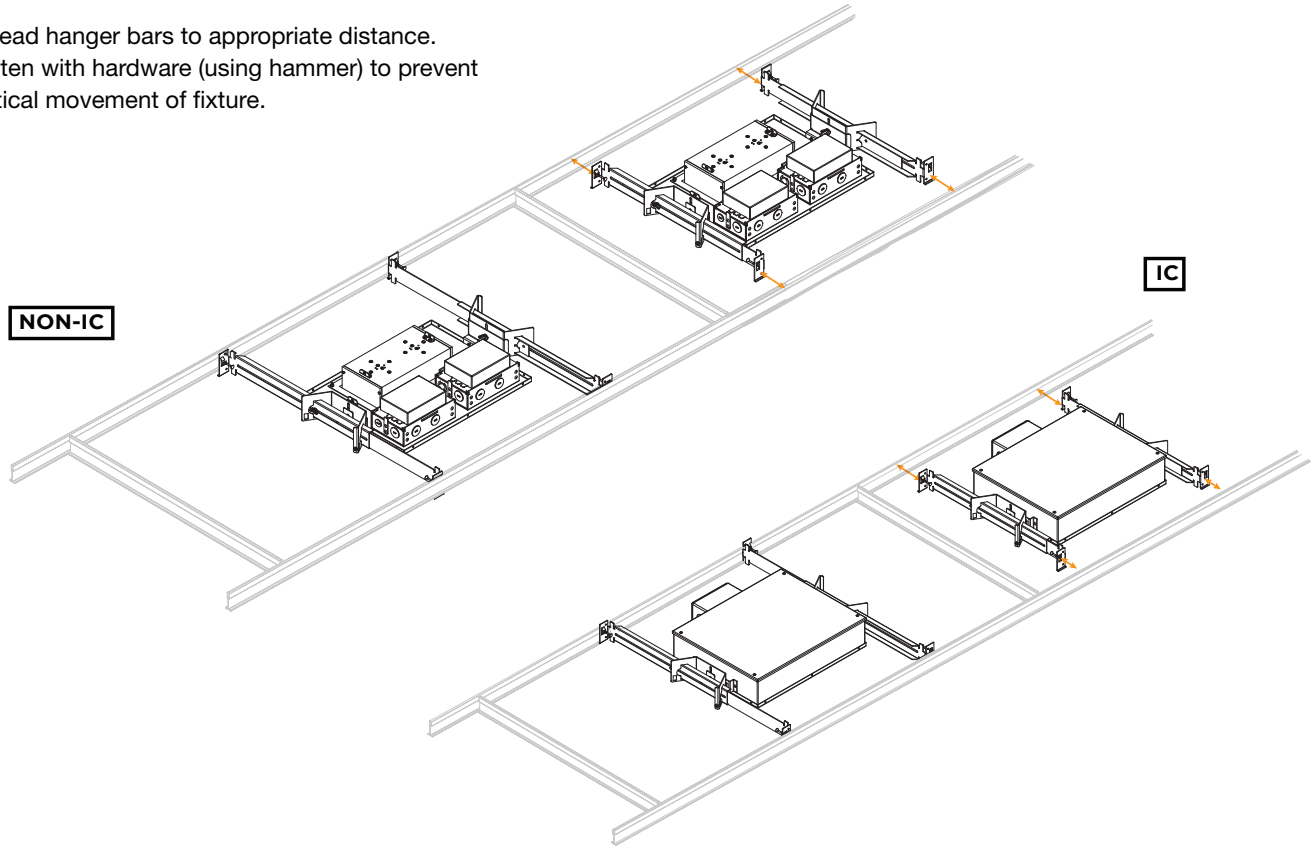


Conduit Connector

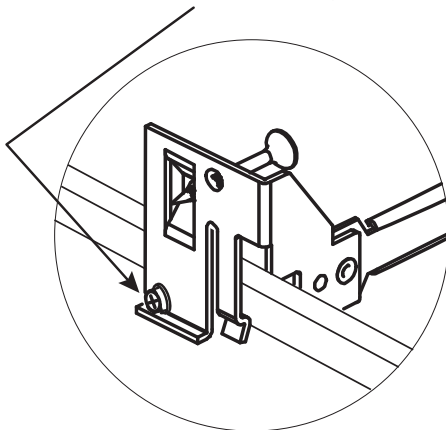
RECESSED HOUSING - NON-IC/IC/CHICAGO RATED

STEP 1 - Frame Install (Horizontal Adjustment)

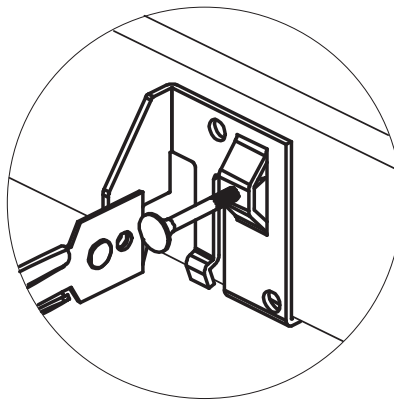
Spread hanger bars to appropriate distance.
Fasten with hardware (using hammer) to prevent
vertical movement of fixture.



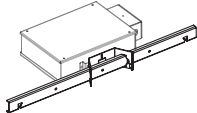
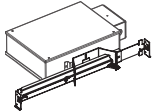
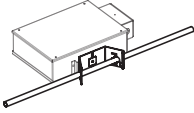
For T-Bar ceiling, screw mounting leg to T-Grid
with provided #10 self drilling screws.



T-BAR

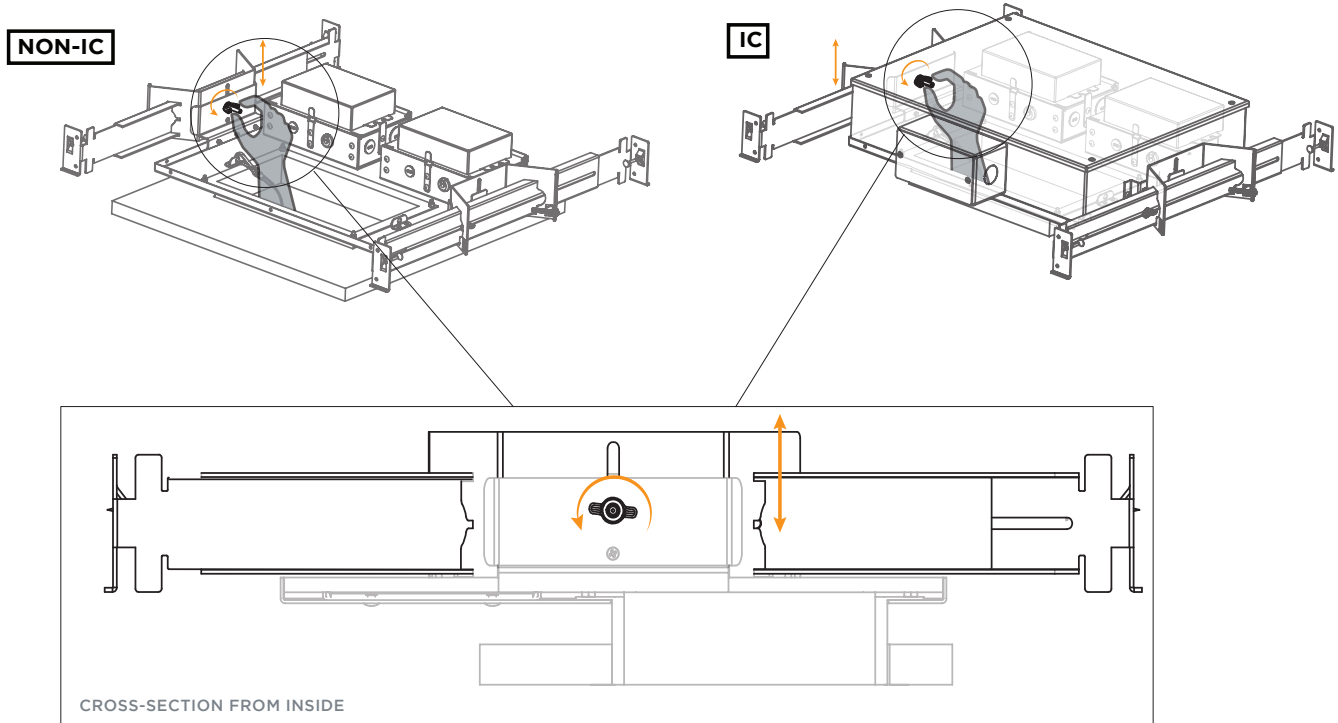


WOOD

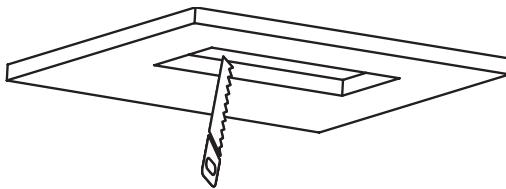
	C-Channel
	Wood-Joist
	EMT

STEP 2 - Frame Install (Vertical Adjustment)

Loosen the wing nuts to adjust the height of the housing. Once positioned, tighten the wing nut.

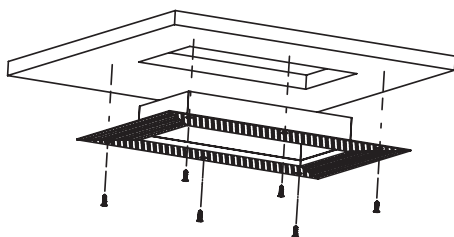


STEP 3A - Ceiling Cutout

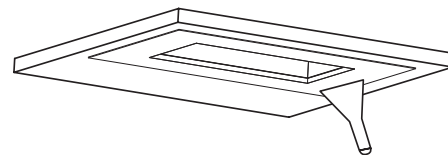


	2.75" HOUSING	3.75" HOUSING
1 HEAD	3 ⁵ / ₈ " x 3 ⁵ / ₈ " (92 x 92 mm)	1 HEAD 4 ⁵ / ₈ " x 4 ⁵ / ₈ " (118 x 118 mm)
2 HEADS	3 ⁵ / ₈ " x 6 ³ / ₈ " (92 x 162 mm)	2 HEADS 4 ⁵ / ₈ " x 8 ³ / ₈ " (118 x 213 mm)
3 HEADS	3 ⁵ / ₈ " x 9 ¹ / ₈ " (92 x 232 mm)	3 HEADS 4 ⁵ / ₈ " x 12 ¹ / ₈ " (118 x 308 mm)
4 HEADS	3 ⁵ / ₈ " x 11 ⁷ / ₈ " (92 x 302 mm)	4 HEADS 4 ⁵ / ₈ " x 15 ⁷ / ₈ " (118 x 404 mm)
SQUARE	6 ³ / ₈ " x 6 ³ / ₈ " (162 x 162 mm)	SQUARE 8 ³ / ₈ " x 8 ³ / ₈ " (213 x 213 mm)

STEP 3B - Mudplate (For Trimless Only)



Attach mud plate to ceiling with screws



Cover mud plate with a thin layer of finish plaster

STEP 4 - Make Electrical Connection

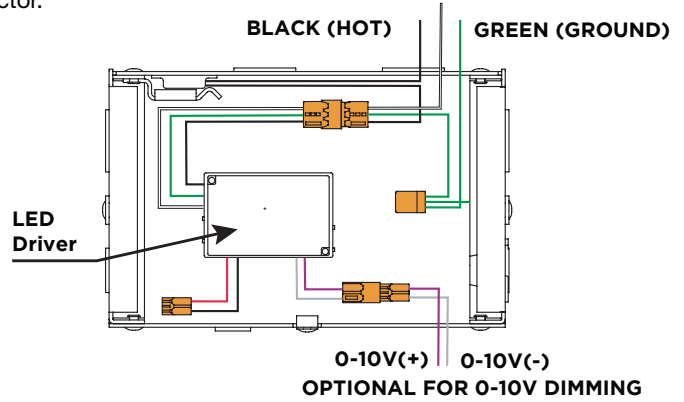
Connect conduit to junction box with UL listed conduit connector.

⚠ WARNING

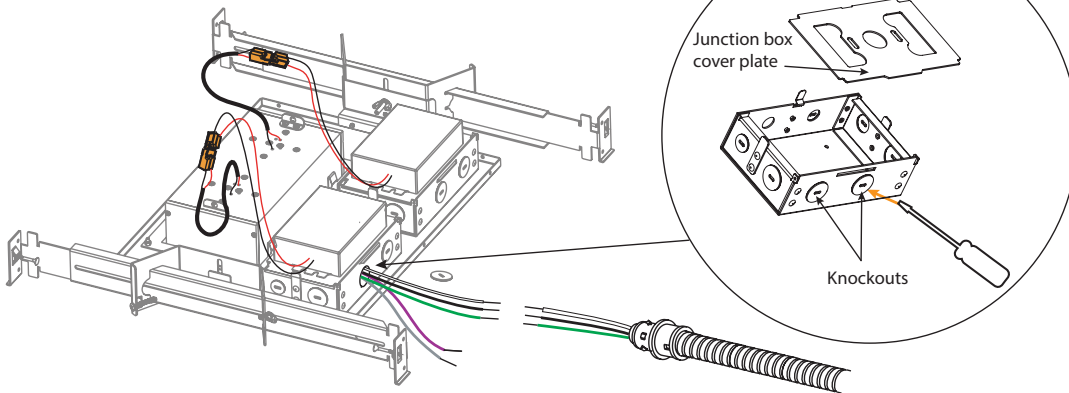
Make sure that there are no exposed strands of wire that could cause a dangerous short circuit!

⚠ WARNING

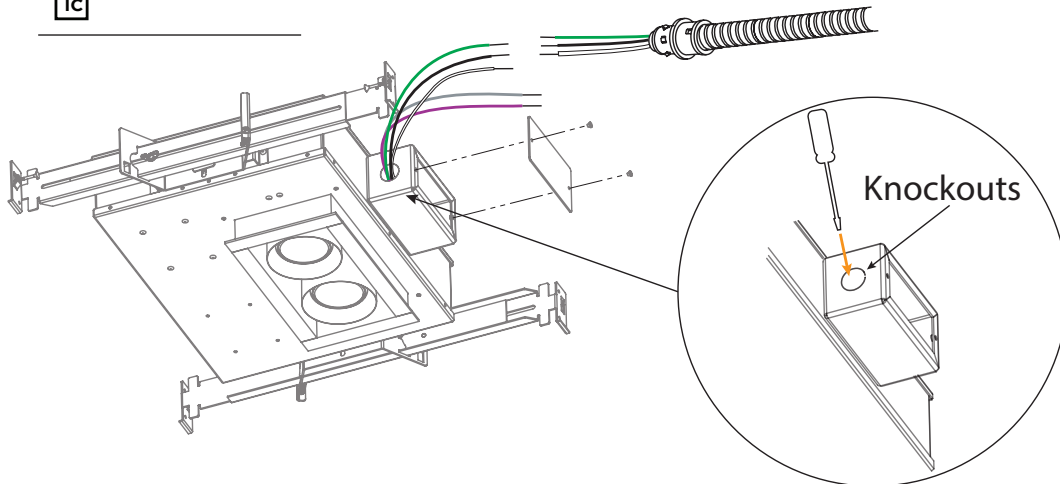
Never fasten the ground wire to the black or "hot" wire!
Failure to follow this instruction could result in serious injury or death!



NON-IC

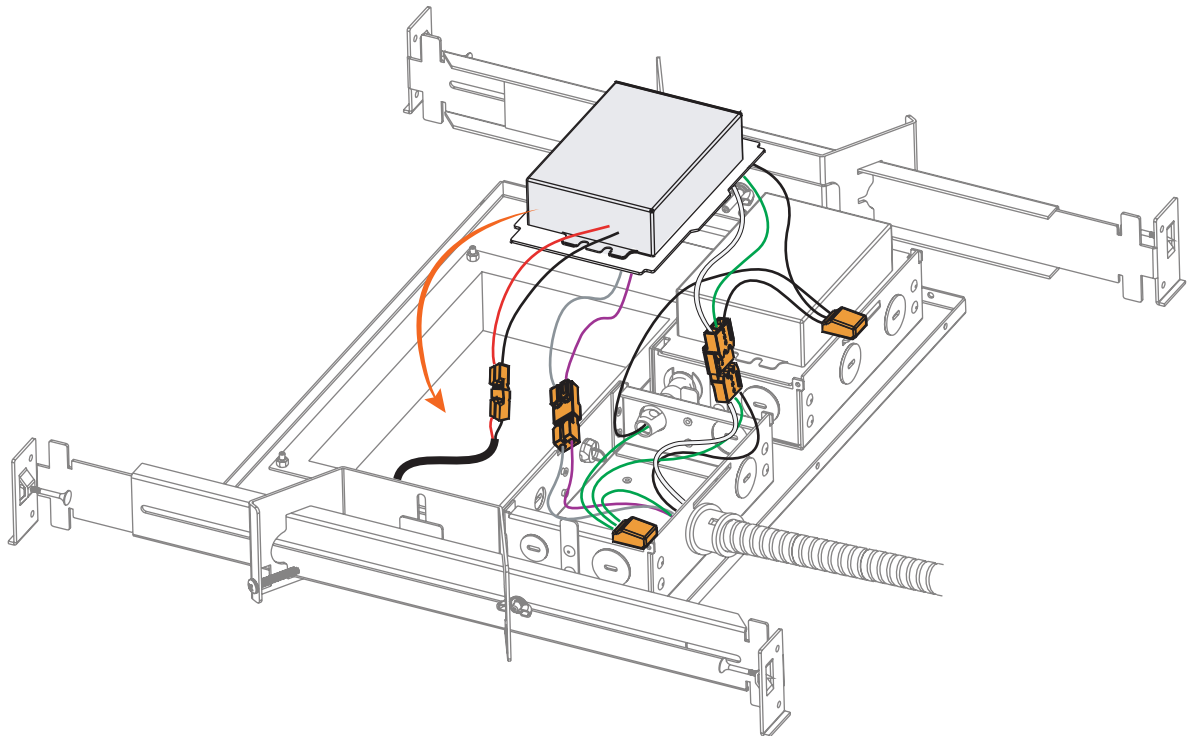
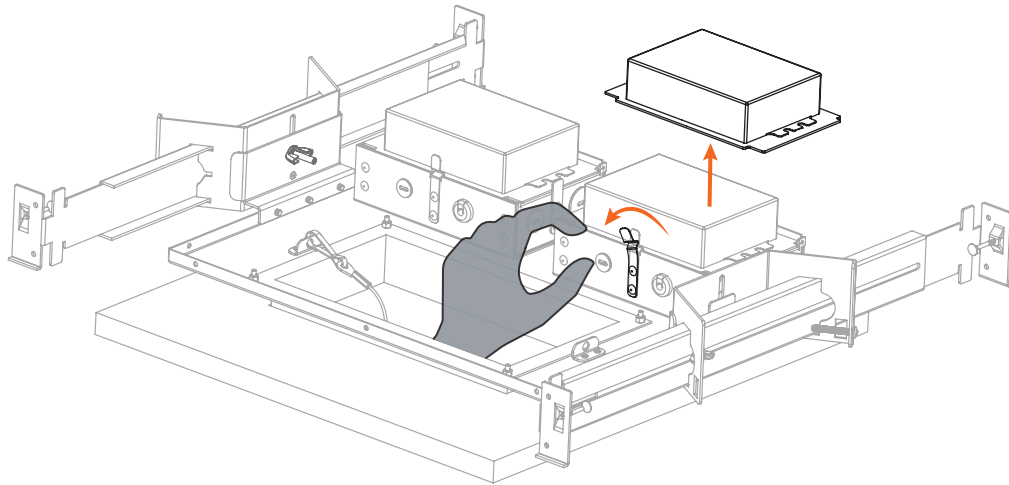


IC



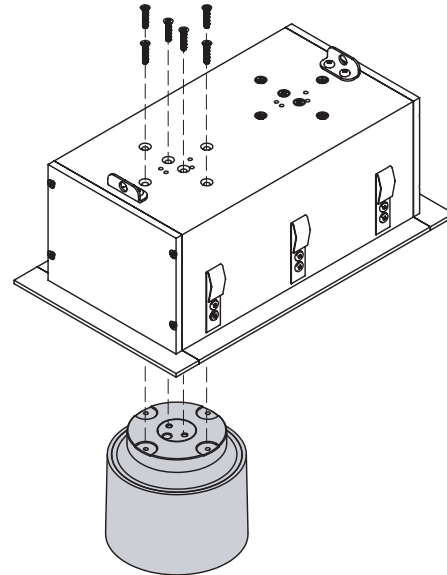
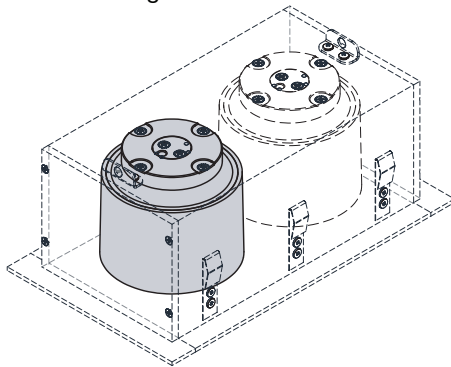
DRIVER REPLACEMENT

Pull back the spring latch and pull-out the driver.

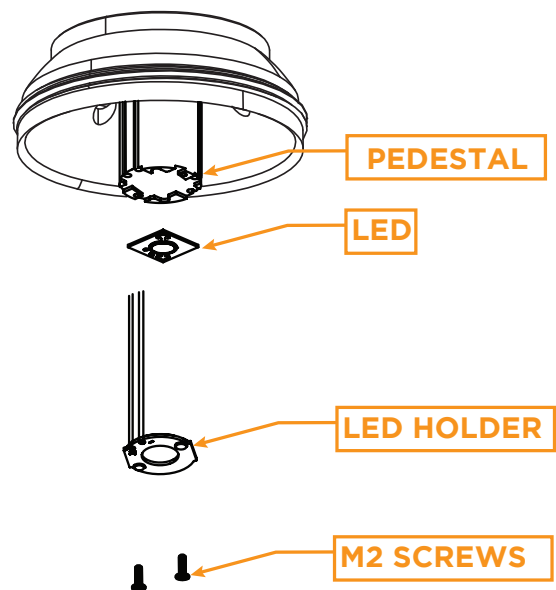
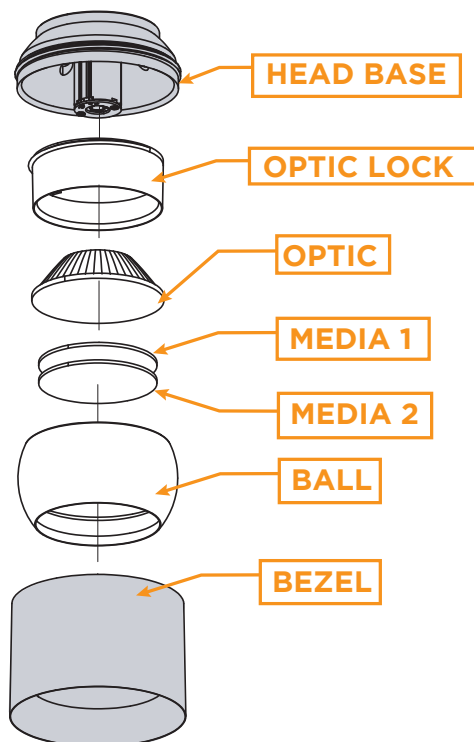


LED REPLACEMENT

Unscrew head lights from housing.

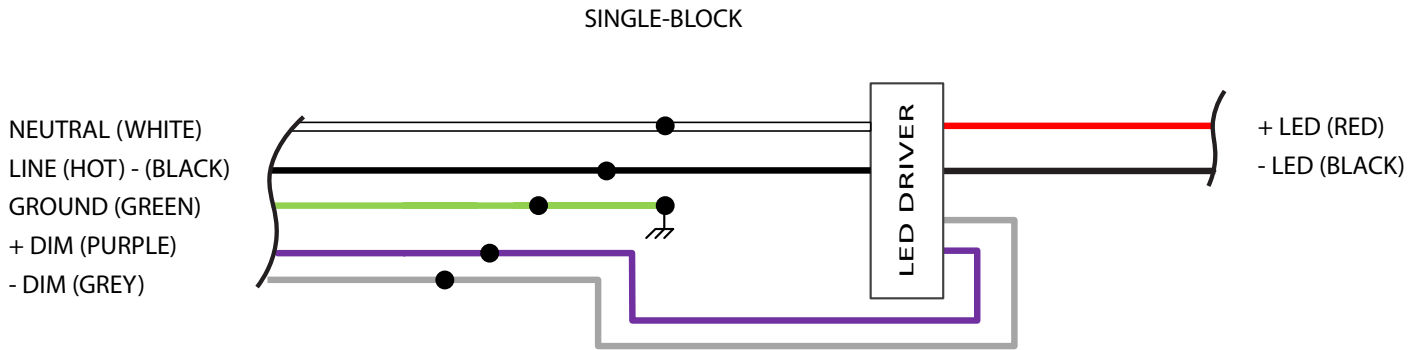


- Unthread the bezel from head base.
- Unscrew two M2 screws to remove LED holder.
- Replace the old LED with the new one.
- Reverse above step to assemble head light.

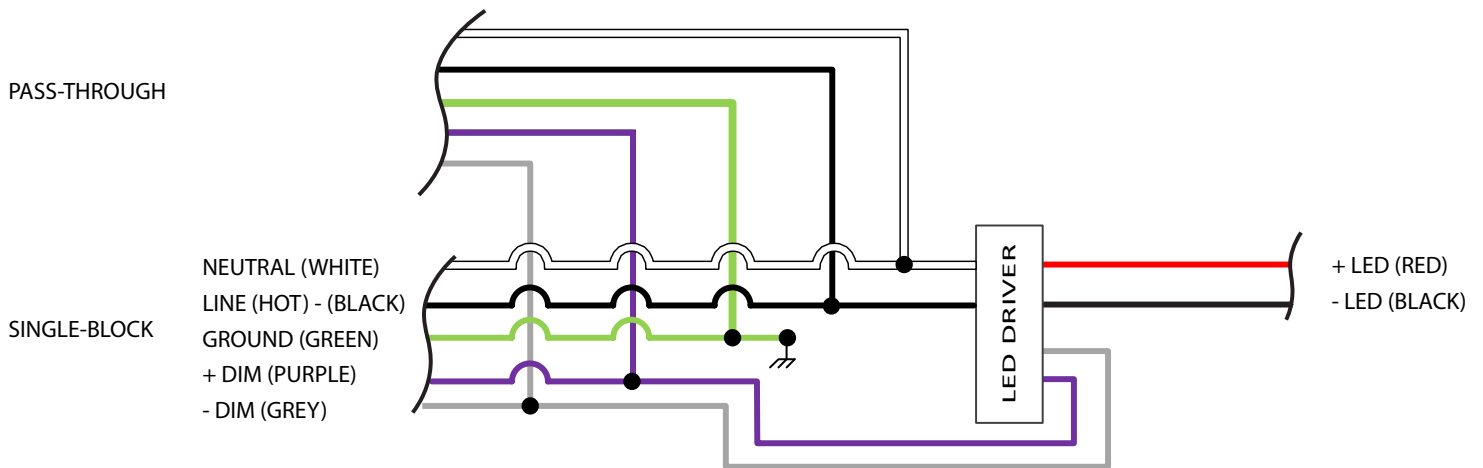


WIRING DIAGRAM

For Single-Block Connection



For Pass-Through Connection



READ AND FOLLOW ALL SAFETY INSTRUCTIONS! SAVE THESE INSTRUCTIONS AND DELIVER TO OWNER AFTER INSTALLATION.

⚠ WARNING: RISK OF ELECTRIC SHOCK

- Before installation or servicing DISCONNECT POWER BY TURNING OFF THE CIRCUIT breakers both to the outlet box and to its associated wall switch.
- Installation and service of luminaires should be performed by a qualified licensed electrician in accordance with all local and National Electrical Codes.
- DO NOT install damaged product
- Verify that supply voltage is correct by comparing it with the luminaire label information.
- All wiring connections should be capped with UL approved recognized wire connectors.

⚠ WARNING: RISK OF INJURY

- Allow luminaire to cool before servicing.
- Follow all manufacturer's warning and restrictions for driver type, mounting locations, replacement and recycling.
- Wear safety glasses and gloves when installing, maintaining or servicing.
- Avoid direct eye exposure to the light source while it is on.

⚠ WARNING

- DO NOT separate any other wires that may be in the box.
- DO NOT damage the insulation of older wiring.
- In regular circumstances the BLACK wire will be the "Hot" lead and the WHITE wire will be the "Neutral" or "Common" lead. A GREEN or BARE COPPER wire is "Ground". In older buildings, it is always good practice to reconfirm the polarity of the wiring.

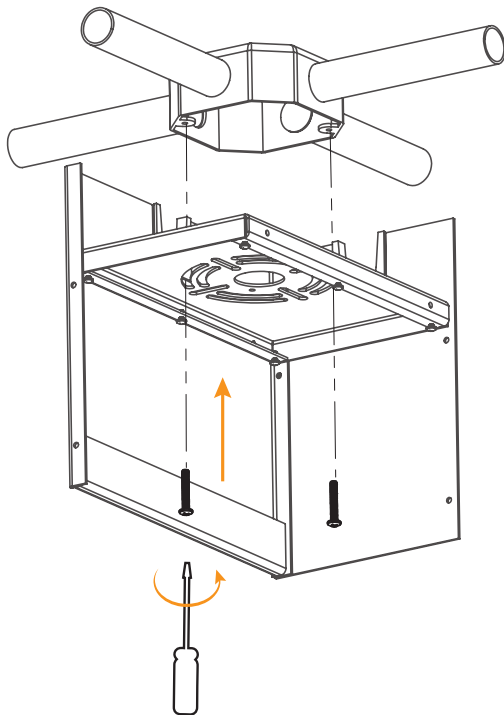
⚠ WARNING: RISK OF PRODUCT DAMAGE

- Never connect components under load.
- Do not touch the yellow surface of the LED as it may damage the light engine.

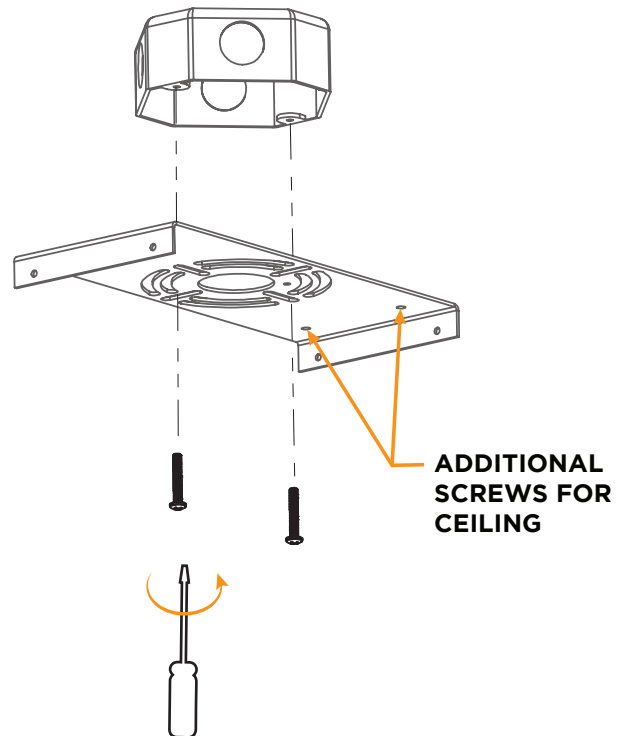
STEP 1A - Fixture Mounting

Attach fixture or mounting plate to junction box using provided 8-32 screws.

1-1. Flush/Conduit Flush Housing

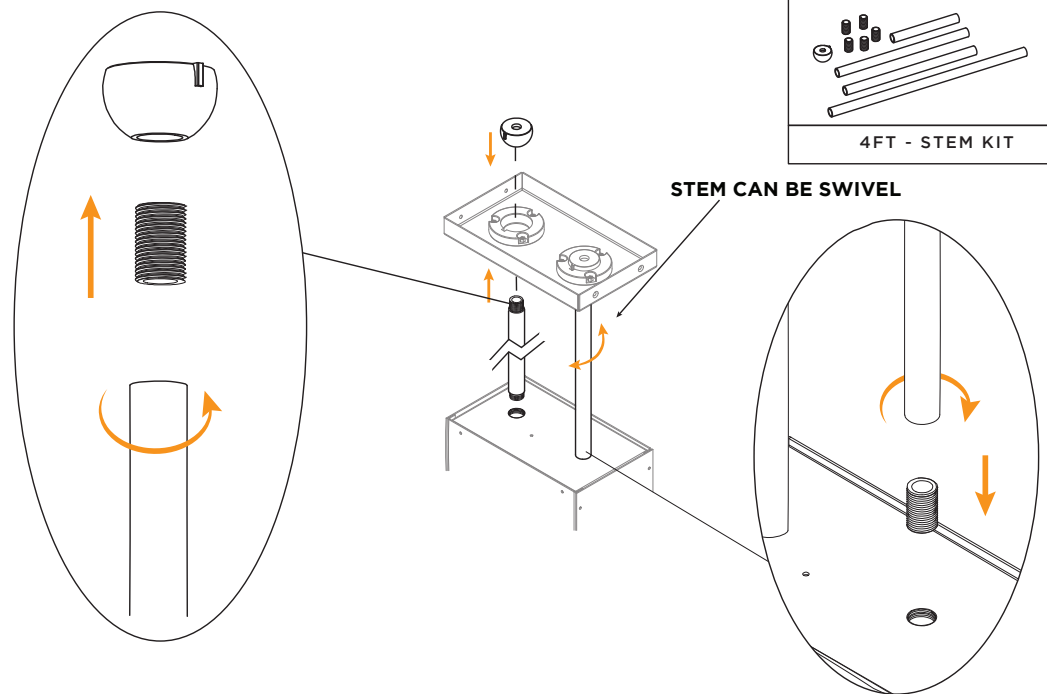


1-2. Stem/Aircraft Cable Housing



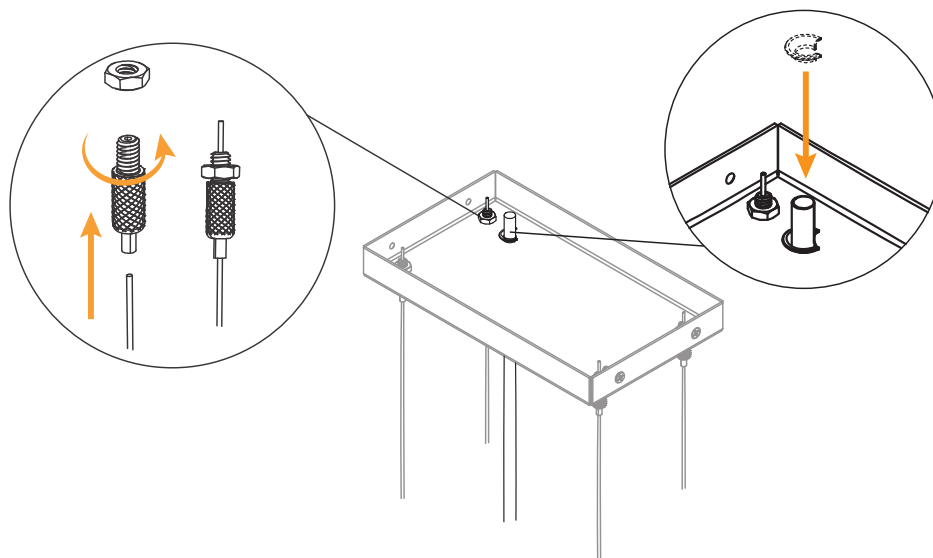
STEP 1B - Stem Housing Only

- Stem housing is equipped with 4ft-long extrusion kits.
- Connect rods to desired length using the provided nipples.
- Attach stem to pivot ball.



STEP 1C - Aircraft Cable Housing Only

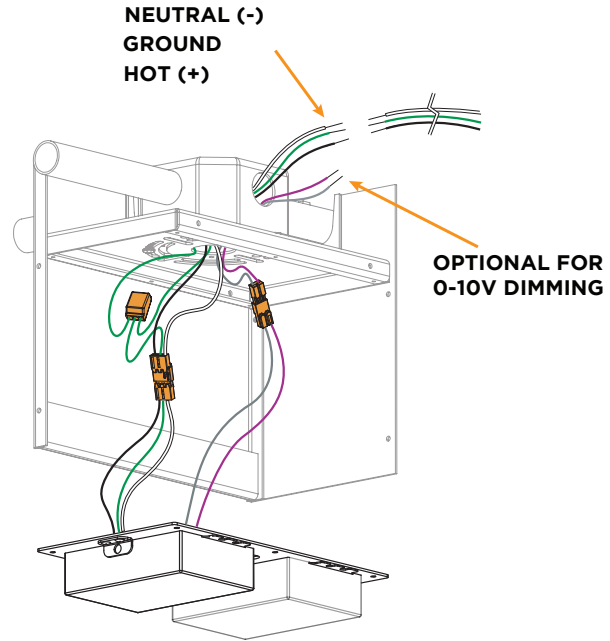
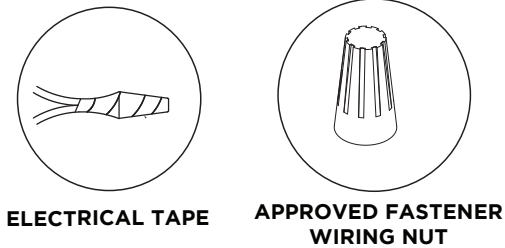
- Adjust cables to desired length and lock to canopy using provided grip locks.
- Stabilize power cord with C-Clamp.



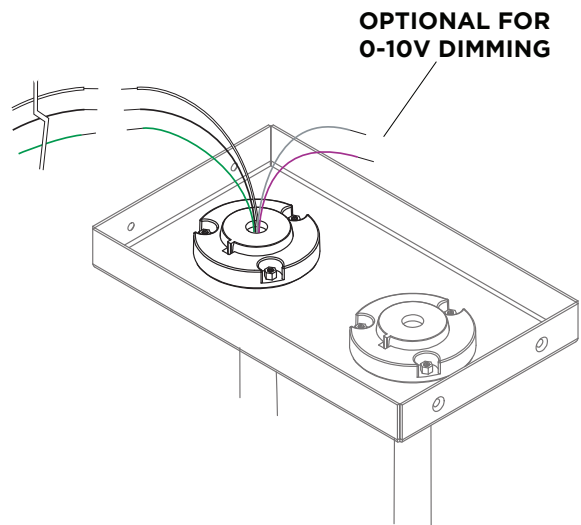
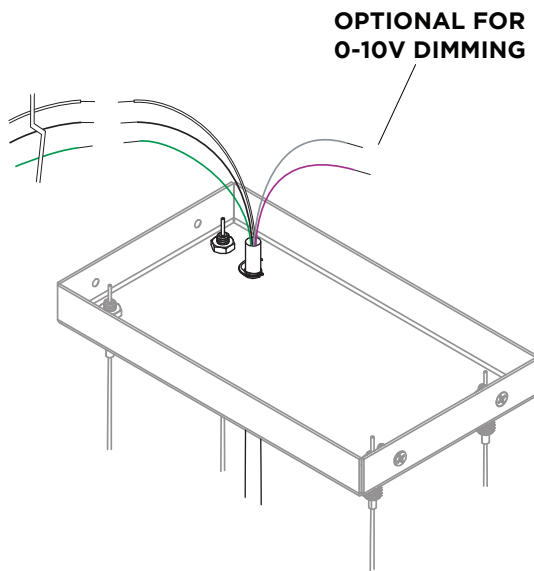
STEP 2 - Make Electrical Connection

Attach wires, per wiring diagram on last page of this document, using approved fasteners or electrical tape.

FLUSH/CONDUIT FLUSH HOUSING

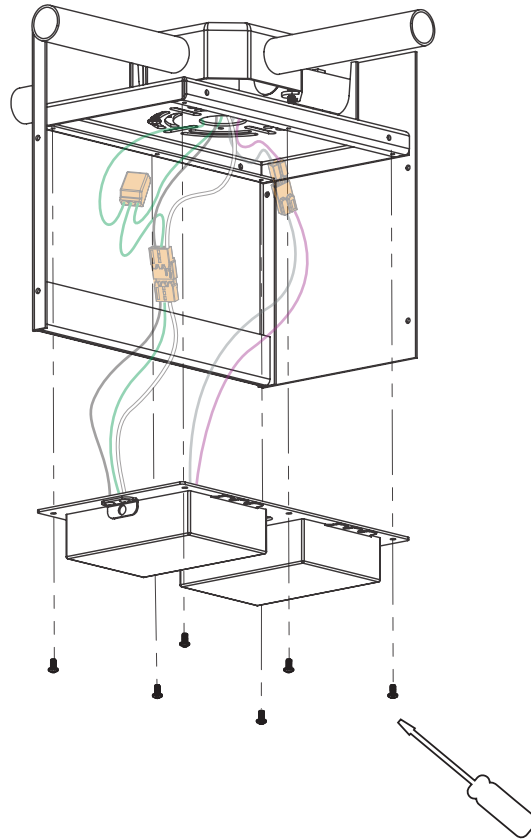


STEM/AIRCRAFT CABLE HOUSING



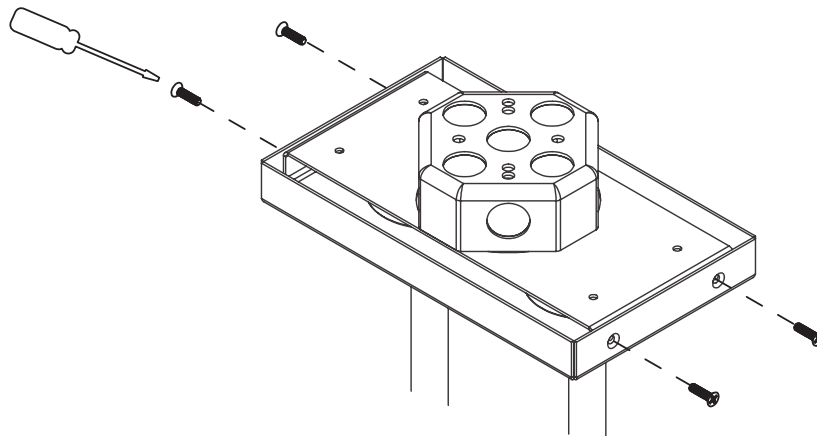
STEP 3A - Driver Installation (For Flush/Conduit Flush Housing Only)

Attach drivers plate to housing with M3 screws.



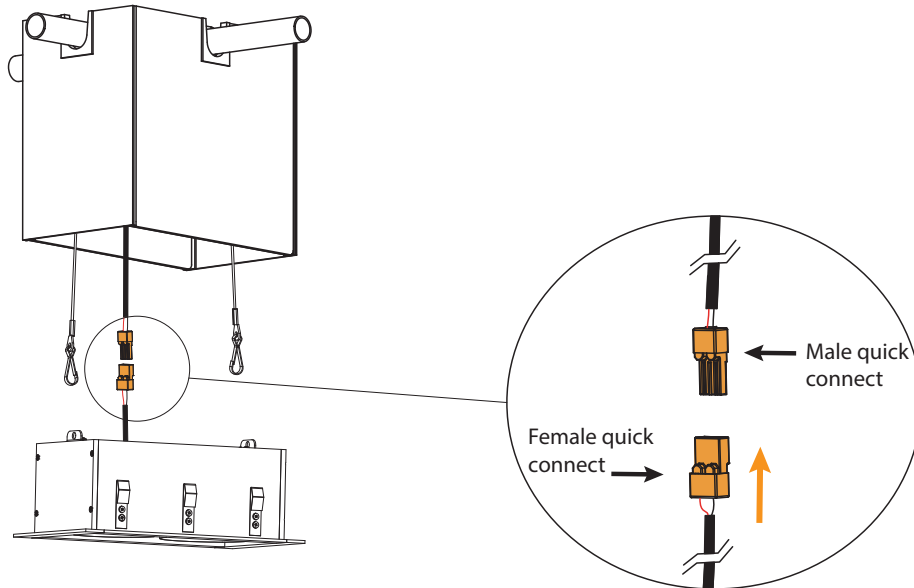
STEP 3B - Mounting Fixture (For Stem/Aircraft Cable Housing Only)

Attach canopy to mounting plate (installed in step 1) with 8-32 screws.

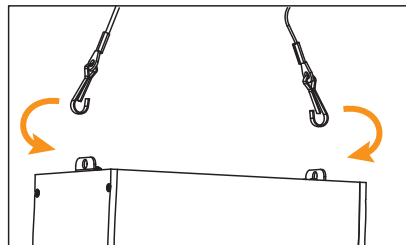


STEP 4 - Trim Installation

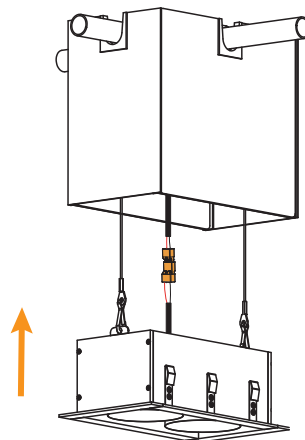
Connect housing to driver with quick connects for each headlight.



Snap safety chains into safety brackets on top of the trim housing.

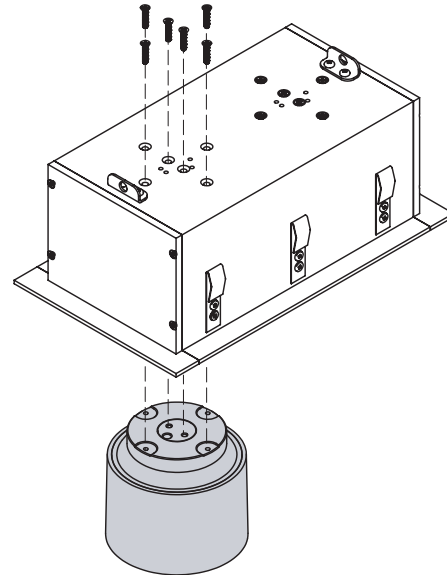
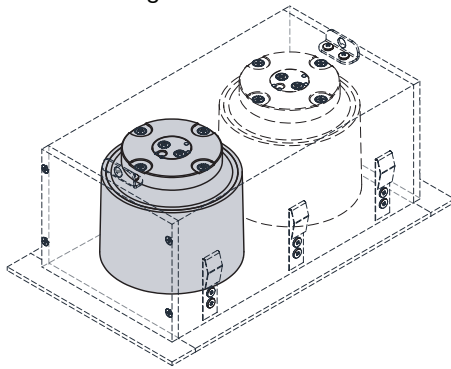


Insert trim into ceiling/fixture.

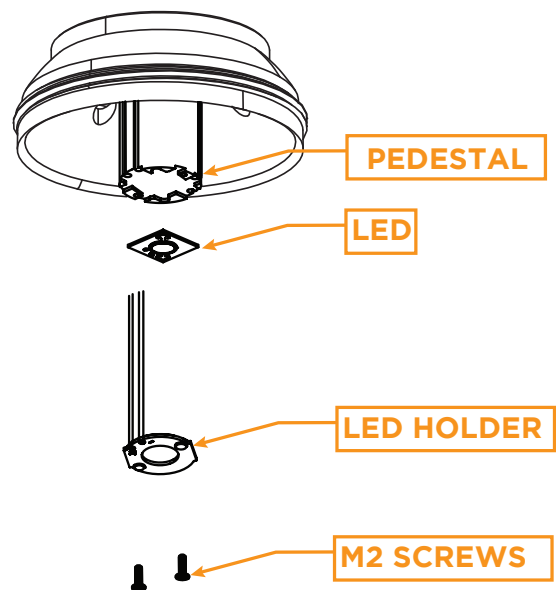
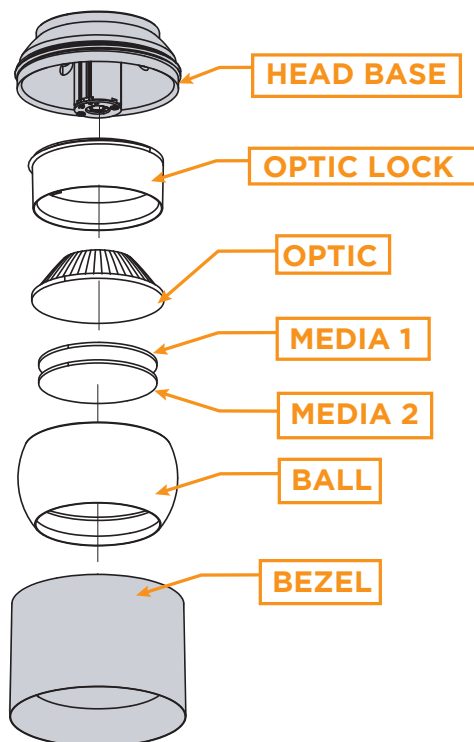


LED REPLACEMENT

Unscrew head lights from housing.

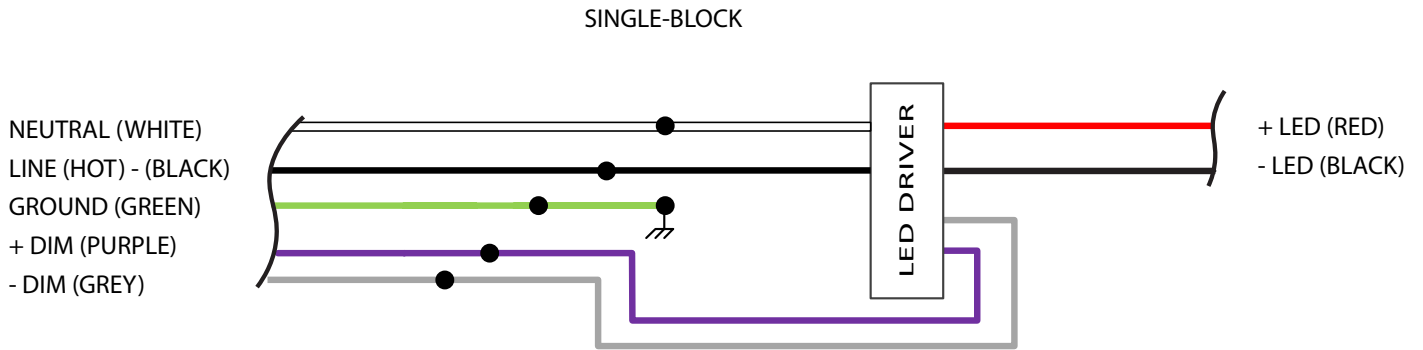


- Unthread the bezel from head base.
- Unscrew two M2 screws to remove LED holder.
- Replace the old LED with the new one.
- Reverse above step to assemble head light.



WIRING DIAGRAM

For Single-Block Connection



For Pass-Through Connection

